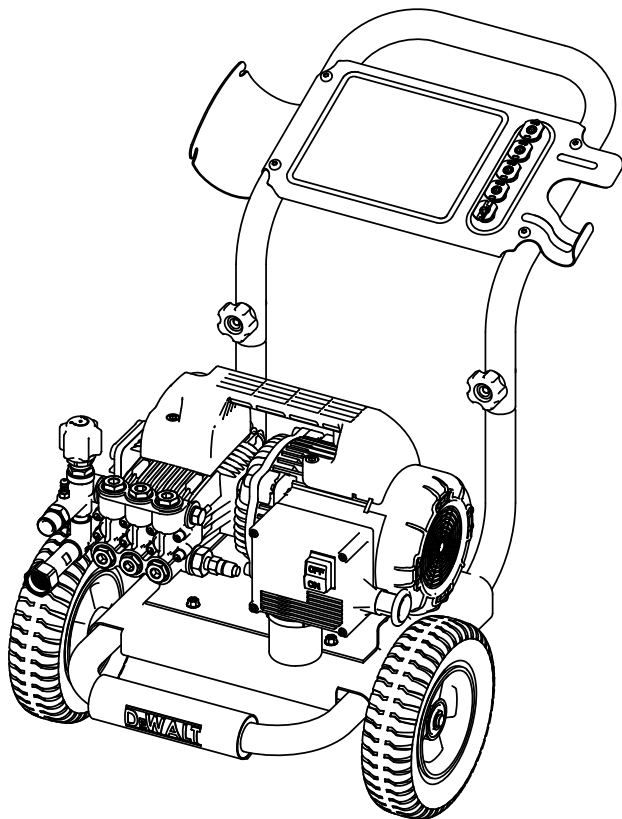


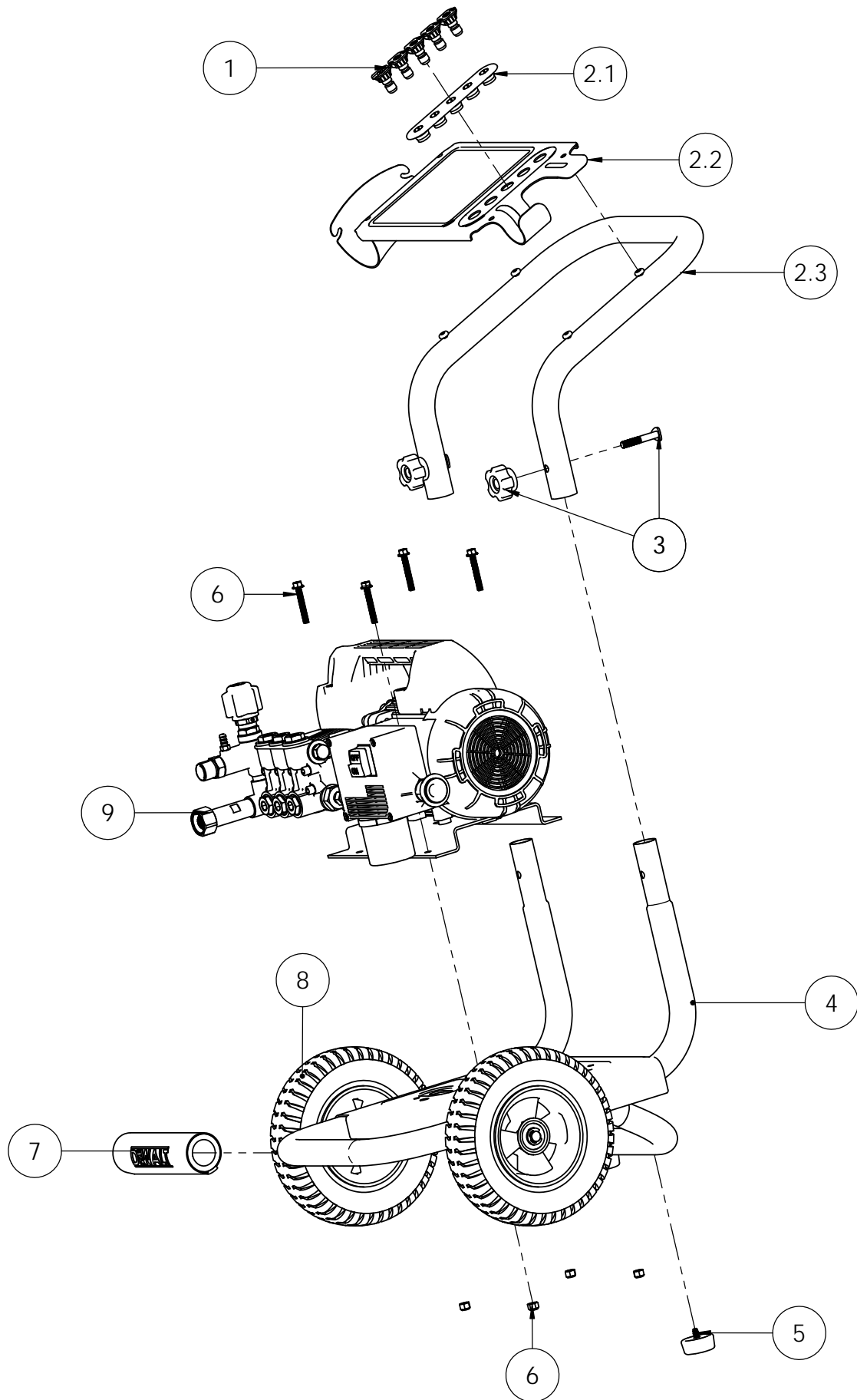
ITEM	PART NO	DESCRIPTION	QTY.
1	7104818	NOZZLE,#2.80 5PCSET 0, 15, 25, 40 & SOAP	1
2	7105839	HANDLE, REAR 11.75 F/BLACK W/DASHBOARD, NOZZLE HOLDER & LABEL	1
2.1	7103161	NOZZLE HOLDER, 5PC RUBBER	1
2.2	7109923	PLATE, DASHBOARD 11.75" CC W/ LABEL	1
2.3	7104806	HANDLE, REAR 18GA. 11.75" C-C BLACK	1
3	7107941	KNOB-BOLT ASSEMBLY	2
4	7107411	FRAME, BASE 11.75" C-C BLACK	1
5	7103292	KIT, FOOT SVC ASY .625"	2
6	7109926	HARDWARE KIT, MOTOR/PUMP	1
7	7104641	HANDLE GRIP, VINYL COVER DEWALT	1
8	7106054	WHEEL KIT, SVC ASSY WHEEL, E-CLIP	2
9	7109047	ELEC MOTOR/PUMP, 1500 PSI @ 2.0 GPM	1
10	7102207	KIT, SVC ASSY SOAP HOSE W/PLASTIC FILTER	1
11	7103550	LANCE, 16" W/ 1/4 QC AND M22(M)	1
12	7108127	GUN, 4500PSI, 6.6GPM, 3/8 QC(M) W/SIDE H	1
13	7103720	HOSE 3000PSI, 5/16 x 25FT 3/8QC(M) X 3/8QC(F)	1
14	7102045	TOOL, NOZZLE CLEANING, UNIVERSAL	1



	NAME	DATE
DRAWN	HB	5/11/17
CHECKED	DH	May 2017
ENG APPR.	SW	May 2017
MFG APPR.	--	--
Q.A. APPR.	CG	May 2017
SERVICE APPR.	DH	May 2017

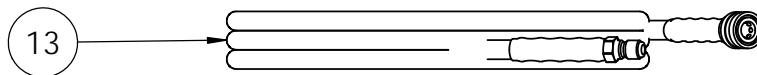
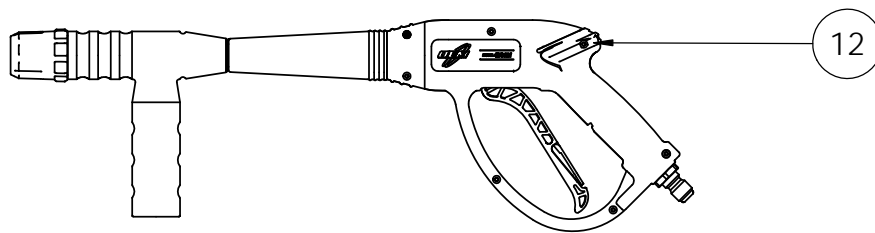
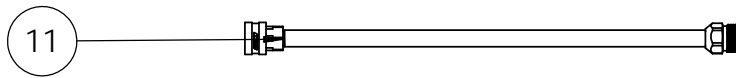
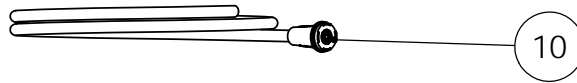
PROPRIETARY AND CONFIDENTIAL
 THE INFORMATION CONTAINED IN THIS DRAWING IS THE SOLE PROPERTY OF FNA-GROUP. ANY REPRODUCTION IN PART OR AS A WHOLE WITHOUT THE WRITTEN PERMISSION OF FNA-GROUP IS PROHIBITED.

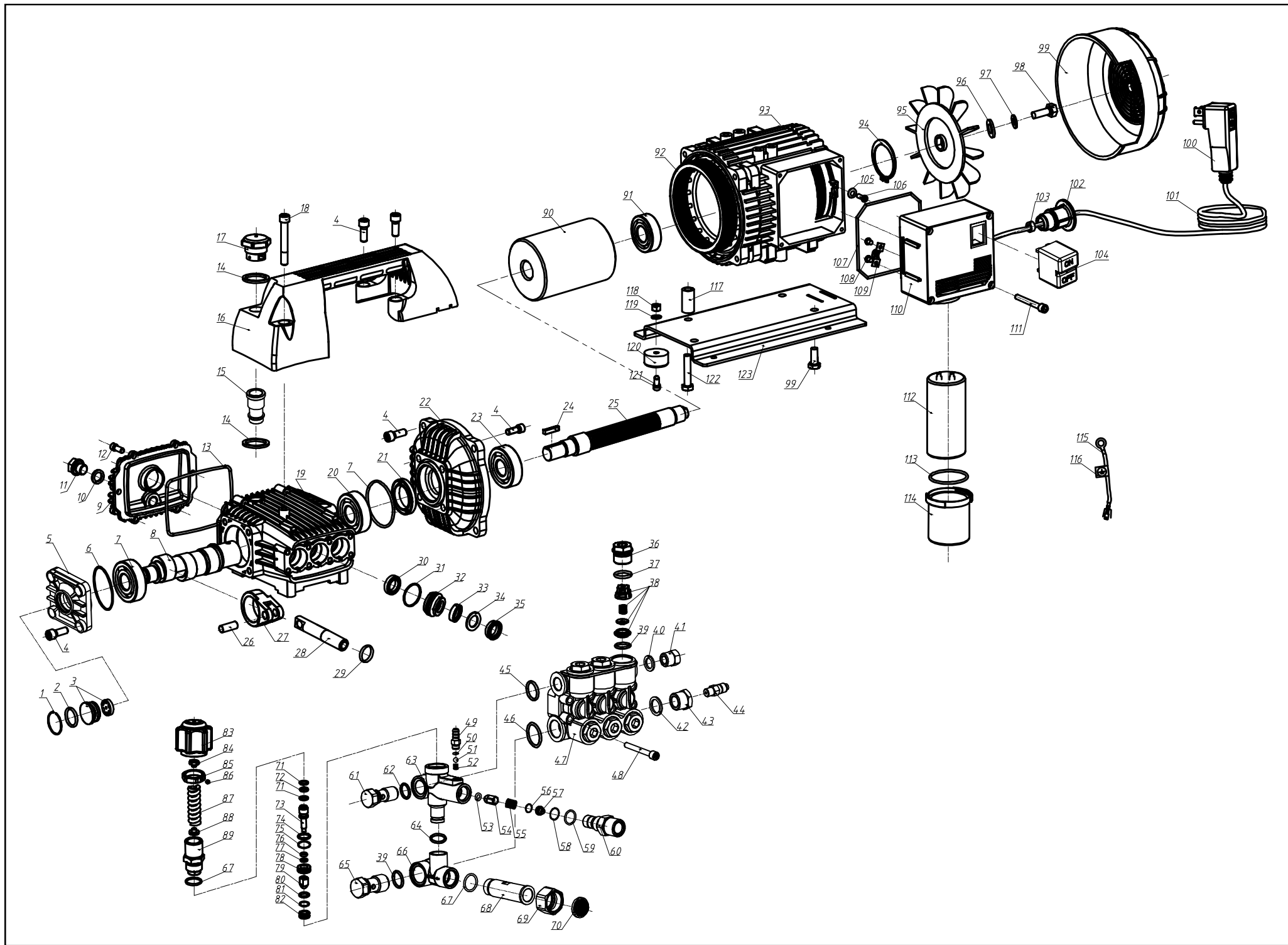
FNA-GROUP		
1265 INDUSTRIAL STREET, DECATUR, AR 72722		
TITLE:		
DEWALT HD ELECTRIC 1500 PSI @ 1.8 GPM		
SIZE	DWG. NO.	REV.
A	60607-S	B
SCALE: 1:8	ECN #: DC17-0177	SHEET 1 OF 3



SIZE	DWG. NO.	REV.
A	60607-S-B	B
SCALE: 1:7	ECN #: DC17-0177	SHEET 2 OF 3

ITEM	PART NO	DESCRIPTION	QTY.
10	7102207	KIT, SVC ASSY SOAP HOSE W/PLASTIC FILTER	1
11	7103550	LANCE, 16" W/ 1/4 QC AND M22(M)	1
12	7108127	GUN, 4500PSI, 6.6GPM, 3/8 QC(M) W/SIDE H	1
13	7103720	HOSE 3000PSI, 5/16 x 25FT 3/8QC(M) X 3/8QC(F)	1





ITEMIZED PARTS LIST

ITEM	PART	DESCRIPTION	QTY.	MODEL	ITEM	PART	DESCRIPTION	QTY.	MODEL	ITEM	PART	DESCRIPTION	QTY.	MODEL
1	N/A	Clip	1	DN-1007MP	58	N/A	O-ring	1	DN-1007MP	115	N/A	Wire, green and yellow	1	DN-1007MP
2	N/A	O-Ring	1	DN-1007MP	59	N/A	O-ring	1	DN-1007MP	116	N/A	Label	1	DN-1007MP
3	N/A	Site Kit	1	DN-1007MP	60	N/A	Outlet NPT3/8	1	DN-1007MP	117	N/A	Bushing	2	DN-1007MP
4	N/A	Bolt	14	DN-1007MP	61	N/A	Plug	1	DN-1007MP	118	N/A	Nut	4	DN-1007MP
5	N/A	Bearing Cover	1	DN-1007MP	62	N/A	O-ring	1	DN-1007MP	119	N/A	Washer	4	DN-1007MP
6	N/A	O-Ring	2	DN-1007MP	63	N/A	Outlet Valve	1	DN-1007MP	120	N/A	Foot	4	DN-1007MP
7	N/A	Bearing 6305	1	DN-1007MP	64	N/A	O-ring	2	DN-1007MP	121	N/A	Bolt	4	DN-1007MP
8	N/A	Crankshaft	1	DN-1007MP	65	N/A	Plug	1	DN-1007MP	122	N/A	Bolt	2	DN-1007MP
9	N/A	Rear Cover	1	DN-1007MP	66	N/A	Inlet Valve	1	DN-1007MP	123	N/A	Bracket	1	DN-1007MP
10	N/A	Gasket	1	DN-1007MP	67	N/A	O-ring	2	DN-1007MP	-	-	-	-	-
11	N/A	Oil Plug	1	DN-1007MP	68	N/A	Inlet	1	DN-1007MP	-	-	-	-	-
12	N/A	Bolt	6	DN-1007MP	69	N/A	Inlet nut	1	DN-1007MP	-	-	-	-	-
13	N/A	O-ring	1	DN-1007MP	70	7109839	Inlet Filter	1	DN-1007MP	-	-	-	-	-
14	N/A	Gasket	2	DN-1007MP	71	N/A	Backup ring	2	DN-1007MP	-	-	-	-	-
15	N/A	Oil tube	1	DN-1007MP	72	N/A	O-ring	1	DN-1007MP	-	-	-	-	-
16	N/A	Handle	1	DN-1007MP	73	N/A	Unloader Stem	1	DN-1007MP	-	-	-	-	-
17	N/A	Vented plug	1	DN-1007MP	74	N/A	O-ring	1	DN-1007MP	-	-	-	-	-
18	N/A	Bolt	2	DN-1007MP	75	N/A	Backup ring	1	DN-1007MP	-	-	-	-	-
19	N/A	Crankcase	1	DN-1007MP	76	N/A	O-ring	1	DN-1007MP	-	-	-	-	-
20	N/A	Bearing6206	1	DN-1007MP	77	N/A	Backup ring	1	DN-1007MP	-	-	-	-	-
21	N/A	Oil Seal	1	DN-1007MP	78	N/A	Seat	1	DN-1007MP	-	-	-	-	-
22	N/A	Flange	1	DN-1007MP	79	N/A	Unloader valve ball	1	DN-1007MP	-	-	-	-	-
23	N/A	Bearing6303	1	DN-1007MP	80	N/A	O-ring	1	DN-1007MP	-	-	-	-	-
24	N/A	Key	1	DN-1007MP	81	N/A	Backup ring	1	DN-1007MP	-	-	-	-	-
25	N/A	Motor shaft	1	DN-1007MP	82	N/A	Backup ring	1	DN-1007MP	-	-	-	-	-
26	N/A	Pin	3	DN-1007MP	83	N/A	Unloader cap	1	DN-1007MP	-	-	-	-	-
27	N/A	Connecting Rod	3	DN-1007MP	84	N/A	Nut, Jam	1	DN-1007MP	-	-	-	-	-
28	N/A	Plunger	3	DN-1007MP	85	N/A	Washer, Jam	1	DN-1007MP	-	-	-	-	-
29	N/A	O-ring	3	DN-1007MP	86	N/A	Bolt	1	DN-1007MP	-	-	-	-	-
30	7109834	Oil seal	3	DN-1007MP	87	N/A	Unloader spring	1	DN-1007MP	-	-	-	-	-
31	N/A	O-Ring	3	DN-1007MP	88	N/A	washer	1	DN-1007MP	-	-	-	-	-
32	N/A	Retainer	3	DN-1007MP	89	N/A	Unloader valve body	1	DN-1007MP	-	-	-	-	-
33	N/A	Water Seal	3	DN-1007MP	90	N/A	Amature	1	DN-1007MP	-	-	-	-	-
34	N/A	Backup ring	3	DN-1007MP	91	N/A	Bearing6304	1	DN-1007MP	-	-	-	-	-
35	N/A	Water Seal	3	DN-1007MP	92	N/A	Stator wire	1	DN-1007MP	-	-	-	-	-
36	N/A	Plug	6	DN-1007MP	93	N/A	Motor cage	1	DN-1007MP	-	-	-	-	-
37	N/A	O-ring	6	DN-1007MP	94	N/A	Retainer	1	DN-1007MP	-	-	-	-	-
38	N/A	Check valve	6	DN-1007MP	95	7109846	Fan	1	DN-1007MP	-	-	-	-	-
39	N/A	O-Ring	7	DN-1007MP	96	N/A	Washer	5	DN-1007MP	-	-	-	-	-
40	N/A	Backup ring	1	DN-1007MP	97	N/A	Retainer	5	DN-1007MP	-	-	-	-	-
41	N/A	Plug	1	DN-1007MP	98	N/A	Bolt	5	DN-1007MP	-	-	-	-	-
42	N/A	Backup ring	1	DN-1007MP	99	7109847	Fan Cover	1	DN-1007MP	-	-	-	-	-
43	N/A	Adaptor	1	DN-1007MP	100	7109836	1900GFCI	1	DN-1007MP	-	-	-	-	-
44	7109833	TRV	1	DN-1007MP	101	N/A	Power cord	1	DN-1007MP	-	-	-	-	-
45	N/A	O-Ring	1	DN-1007MP	102	N/A	Power cord cover	1	DN-1007MP	-	-	-	-	-
46	N/A	O-Ring	1	DN-1007MP	103	N/A	Grommet	1	DN-1007MP	-	-	-	-	-
47	7109832	Manifold	1	DN-1007MP	104	7109837	ON/OFF switch	1	DN-1007MP	-	-	-	-	-
48	N/A	Bolt	8	DN-1007MP	105	N/A	Washer	1	DN-1007MP	-	-	-	-	-
49	N/A	Soap barb	1	DN-1007MP	106	N/A	Screw	1	DN-1007MP	-	-	-	-	-
50	N/A	O-Ring	1	DN-1007MP	107	7109840	O-ring	1	DN-1007MP	-	-	-	-	-
51	N/A	Ball	1	DN-1007MP	108	N/A	Screw	2	DN-1007MP	-	-	-	-	-
52	N/A	Spring	1	DN-1007MP	109	N/A	Clip	1	DN-1007MP	-	-	-	-	-
53	N/A	O-Ring	1	DN-1007MP	110	7109841	Switch box	1	DN-1007MP	-	-	-	-	-
54	N/A	NRV	1	DN-1007MP	111	7109842	Bolt	1	DN-1007MP	-	-	-	-	-
55	N/A	NRV Spring	1	DN-1007MP	112	7109843	Capacitor	1	DN-1007MP	-	-	-	-	-
56	N/A	O-Ring	1	DN-1007MP	113	7109844	O-ring	1	DN-1007MP	-	-	-	-	-
57	N/A	Bushing	1	DN-1007MP	114	7109845	Capacitor box	1	DN-1007MP	-	-	-	-	-

DRANE DN-1005MP